



WEL Networks 33 kV Steel Pole Defects

Overhead Lines Forum

6 May 2021

Helen Gilbert - Beca

**make
everyday
better.**



1

Sensitivity: General

Presentation Overview



- Foundation Holding Down Bolt Corrosion
- Horizontal Post Insulator – Blackened Clamps
- OPGW, Earthbond - Failure



2

Sensitivity: General

Foundation Holding Down Bolt Corrosion



3

Sensitivity: General

Foundation Holding Down Bolt Corrosion



4

Sensitivity: General

Foundation Holding Down Bolt Corrosion



 Beca

5

Sensitivity: General

Blackened Horizontal Post Insulator Clamps




 Beca

6

Sensitivity: General

Blackened Horizontal Post Insulator Clamps



BECA

7

Sensitivity: General

Blackened Horizontal Post Insulator Clamps



KL69S

BECA

8

Sensitivity: General

Biological Growth on Insulator

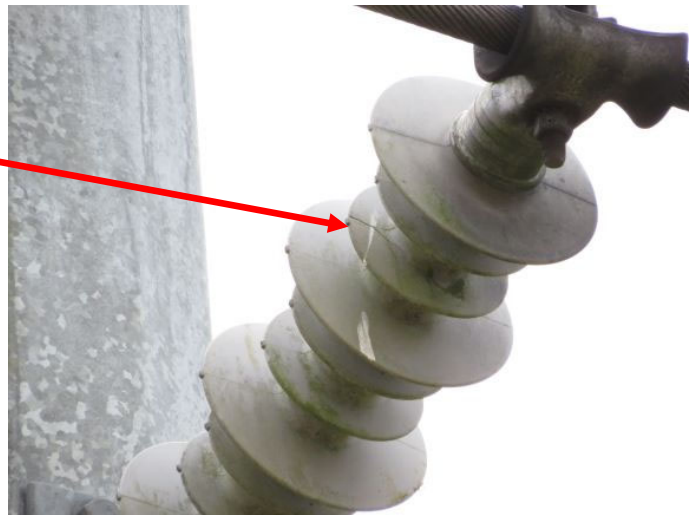


 Beca

9

Sensitivity: General

Biological Growth on Insulator



 Beca

10

Sensitivity: General

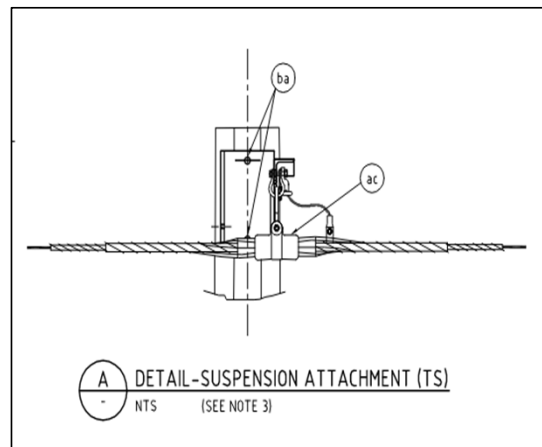
Earthbond Failure



11

Sensitivity: General

Earthbond Failure - Installed Earthbond vs. Design



12

Sensitivity: General

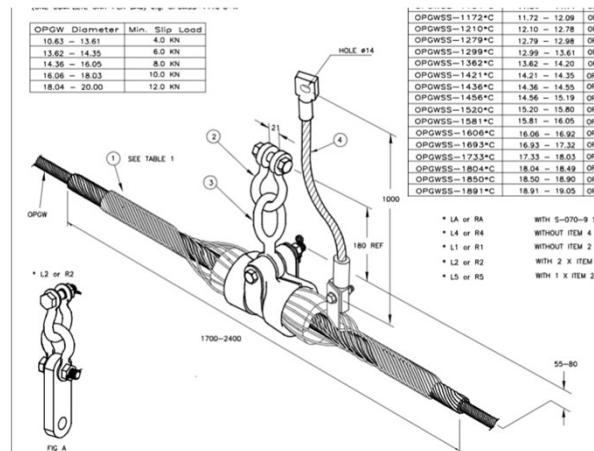
Earthbond Failure - Installed Earthbond vs. Design



13

Sensitivity: General

Earthbond Failure - Installed Earthbond vs. Design



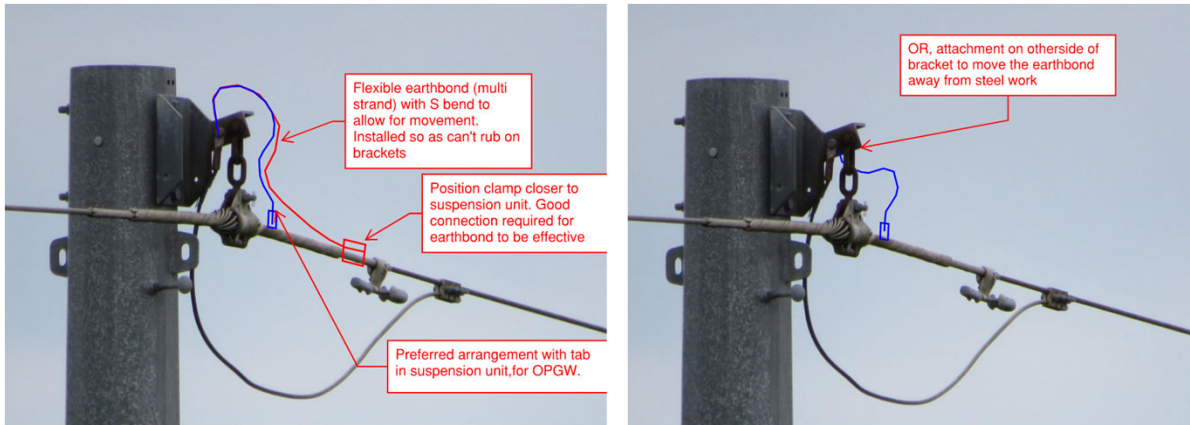
OPGW Clamp
Extract from
PLP Drawing 050-041-
RD



14

Sensitivity: General

Earthbond fitted so as not to rub on brackets



15

Sensitivity: General

Questions



16



WEL Networks 33 kV Steel Pole Defects

Overhead Lines Forum

6 May 2021

Helen Gilbert – Beca

**make
everyday
better.**

